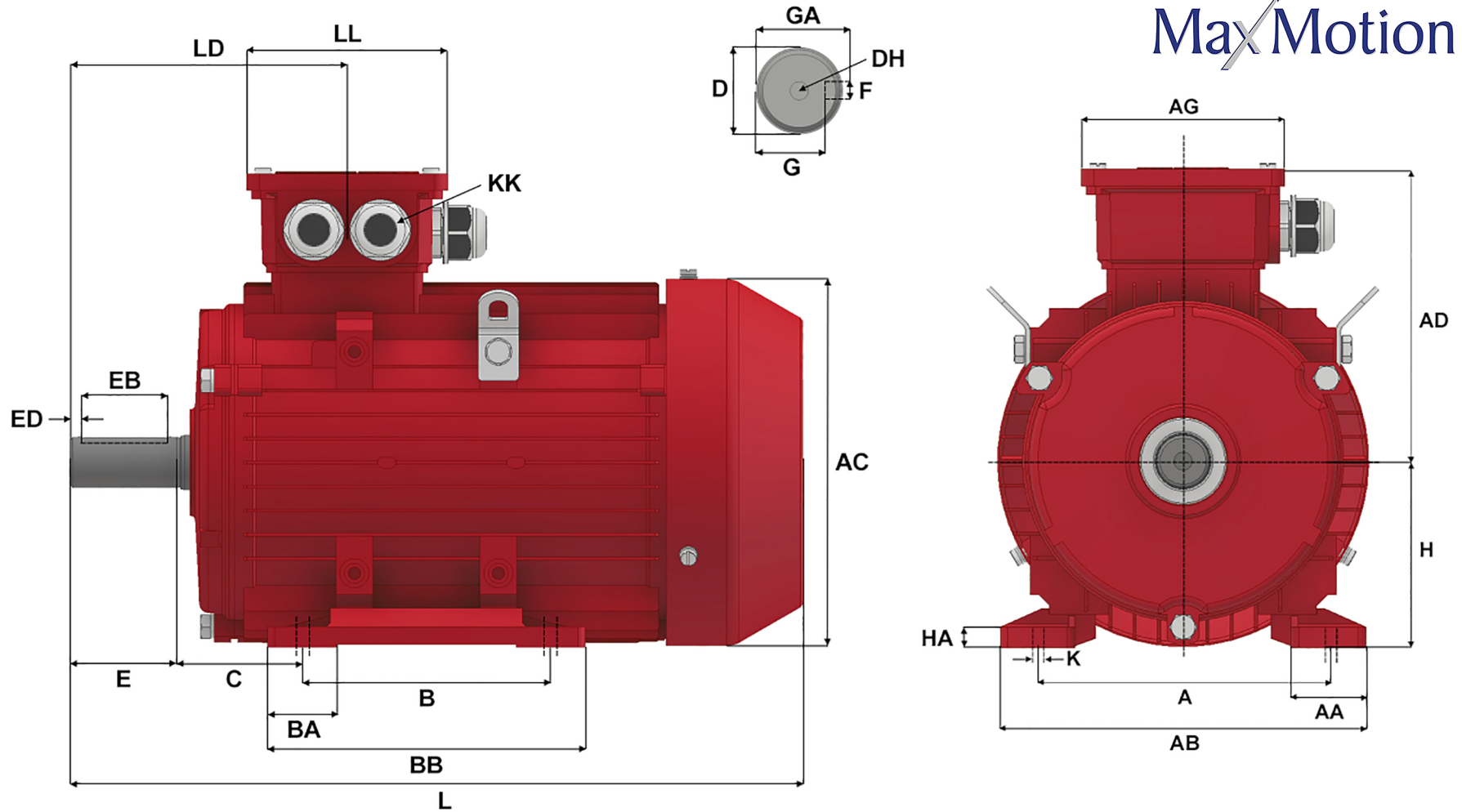


# MaxMotion



| Version: 1JLEM   |       | Revised: 09-11-2019 |     | HP       | RPM | FRAME | ENCLOSURE | IJA132S-6-B3 |           |          |           |     |  |  |  |  |
|--|-------|---------------------|-----|----------|-----|-------|-----------|--------------|-----------|----------|-----------|-----|--|--|--|--|
| Customer is responsible in determining that Max Motion product will fit/perform suitably in the intended application |       |                     |     |          |     |       |           | 4            | 1160      | 132S     | TEFC      |     |  |  |  |  |
| A  | B     | C                   | D   | E        | F   | G     | H         | K            | L         | AA       | AB        | AC  |  |  |  |  |
| 216  | 140   | 89                  | 38  | 80       | 10  | 33    | 132       | 12 X 16      | 445       | 51       | 262       | 258 |  |  |  |  |
| AD   | AG    | BA                  | BB  | DH       | EB  | ED    | GA        | HA           | KK (1)    | KK (2)   | KK (3)    | LD  |  |  |  |  |
| 188  | 117.5 | 46                  | 186 | M12 X 28 | 65  | 7.5   | 41        | 15           | M32 X 1.5 | 3/4" NPT | M16 X 1.5 | 180 |  |  |  |  |
| LL   |       |                     |     |          |     |       |           |              |           |          |           |     |  |  |  |  |
| 117.5  |       |                     |     |          |     |       |           |              |           |          |           |     |  |  |  |  |